

▶ Polycom® Vortex® EF2241

Acoustic echo/noise canceller
with automatic microphone/
matrix mixer and phone add



Expand the audio capabilities of your installed conferencing facility and easily add phone calls. The Vortex EF2241 enhances the productivity of conferencing and distance learning installations through industry-leading acoustic echo and noise cancellation, plus a DSP-based telephone interface.

Designed as a companion to Polycom's Vortex EF2280 model as well as for standalone applications, the Vortex EF2241 automatically mixes four microphones and other audio, while canceling acoustic echoes and annoying background noise. The Vortex EF2241 includes an interface to the standard (PSTN) telephone network. It provides connections for multiple microphones and auxiliary inputs and includes a 10 Watt power amplifier for driving loudspeakers in the room.

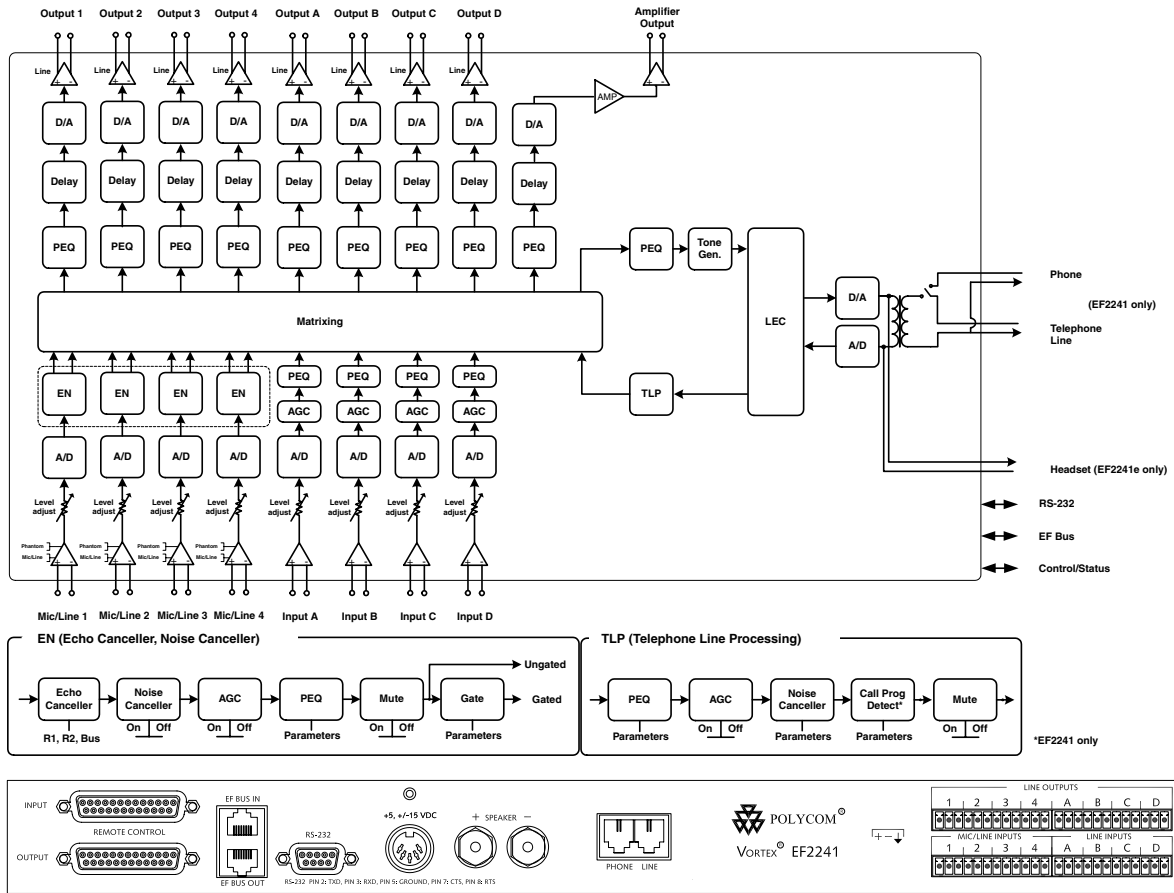
The Vortex EF2241 supports four auxiliary audio sources and automatic mixing of up to four microphones per device. If more microphones or telephone interface channels are needed, additional Vortex units can be linked. Each microphone channel features industry-leading, acoustic echo cancellation to prevent received signals from being retransmitted to their original locations. Neural network Automatic Gain Control reacts only to valid speech patterns, bringing voices within desired levels. User-adjustable AGC controls for each channel, and settings for the five-band parametric EQ, are offered on all input and output channels.

The high-quality audio choice for The Polycom Office™

With integrated video, voice, data, and Web capabilities, The Polycom Office is the only solution that offers you an easy way to connect, conference, and collaborate any way you want. The Polycom Office is our commitment to making distance communications as natural and interactive as being there. Work faster, smarter, and better with the Polycom Vortex EF2241 and The Polycom Office.

- ▶ Versatile telephone connection – With the Vortex EF2241, add standard (PSTN-based) calls or enjoy wideband audio performance with the Polycom SoundStation VTX 1000™ conference phone
- ▶ Use it anywhere in the world – With country-specific telephone configuration settings for PSTN calls
- ▶ Versatile operation – Add phone calls to conferences, mix microphones and other audio in the room, and operate loudspeakers from a single product
- ▶ Industry-leading acoustic echo and noise cancellation – Ensures the highest possible audio quality between sites
- ▶ Easy setup – Conference Composer™ and Polycom InstantDesigner™ software make configuration fast and simple
- ▶ Offers flexible control - Both products offer up to 32 user configurable presets, 16 factory presets, 256 macros; both may be operated through standard room controllers; Vortex EF2241 may also be operated with the Vortex EF-IR11 Infrared Remote Control
- ▶ Expandable – Easily links to additional Vortex EF2241 units; other Vortex Installed Voice products (Vortex EF2280, Vortex EF2211, Vortex EF2210 or Vortex EF2201); also connects to the SoundStation VTX 1000™ conference phone or other Polycom products

System Block Diagram and Rear Panel



Polycom Vortex EF2241 Technical Specifications

Dimensions

- 483 mm x 244 mm x 45 mm (19" x 9.6" x 1.75") (W/L/H) (one rack unit)

Weight

- 1.8 kg (4 lbs.) dry, 2.5 kg (5.5 lbs.) shipping

Connectors

- RS-232: DB9F
- EF Bus In/Out: RJ45
- Telephone Line/Set: RJ11 (2 on EF2241 only)
- Control /Status: DB25F
- Audio: Mini (3.5mm) quick connect terminal blocks

Power

- External supply (provided)
- Input voltage of 110-240 VAC; 47-63 Hz; power consumption 30 W

Microphone Input

- -30 dBu to +0 dBu/ -66 dBu to -33 dBu, nominal; software selectable

Phantom Power

- 24 V, software selectable

Line Inputs

- -20 dBu to +0 dBu, nominal; software adjustable

Line Outputs

- -20 dBu to +0 dBu, nominal; software adjustable

Loudspeaker Output

- 10 W, 4-16 Ohms

Input Impedance

- > 10 k Ohms

Output Impedance

- 50 Ohms (drives 600 Ohms)

Headroom

- 20 dB, nominal

Signal to Noise Ratio

- Line level, 0 dB gain: >85dB

Frequency Response

- 20 Hz - 22 kHz

Acoustic Echo Cancellation Span

- 270 ms

Total Cancellation

- >65 dB

Convergence Rate

- 40 dB/second

©2008 Polycom, Inc. All rights reserved. Polycom, the Polycom logo and Vortex are registered trademarks and SoundStation VTX 1000, Conference Composer, InstantDesigner, and The Polycom Office are trademarks of Polycom, Inc. in the U.S. and various countries. All other trademarks are the property of their respective companies. Specifications subject to change without notice.